

- Permanent magnet DC motor 24 V
- Three phase and single phase AC motor
- Worm gearbox
- Acme lead screw or ballscrew (VRS)
- Chrome plated steel push rod
- Permanent lubrication
- IP65 for DC versions
- IP55 for AC versions, tested according to rule CEI EN 60529. NB: Only for brake motors Standard IP54, IP65 on request
- Working temperature range -10°C +60°C
- Intermittent duty S3 30% (5 min) a +30°C for AC motor
- Limit switches, potentiometer and encoder on request
- Version At-Ex II 3 D T4 (AC motor) on request

ALI4-P (Vac triphase)				
Fmax (N)	Speed (mm/s)	Version	Motor size	Motor power (KW)
11000	12	M01	IEC71	0.55 2 poles
15000	6	M02	IEC63	0.37 4 poles

ALI4-P (Vdc)						
Fmax (N)	Speed (mm/s)	Version	Motor size	Motor speed (rpm)	Max Current for F max(A) 24Vdc	Fs % base 5 min.
1700*	48	M03	77	3000	11	20
2600	29	M04	77	3000	12	20
4500	14	M05	77	3000	11	20
6800	8	M06	77	3000	12	20
10000	5	M07	77	3000	14	10

* When speed is more than 30 mm/s and/or strokes longer than 350mm, check STROKE SETUP section.

With single-phase motors type M (see motor choice guideline in paragraph ACCESSORIES) performances are 20% lower than the three-phase motor.

→ The brakemotor is strongly recommended

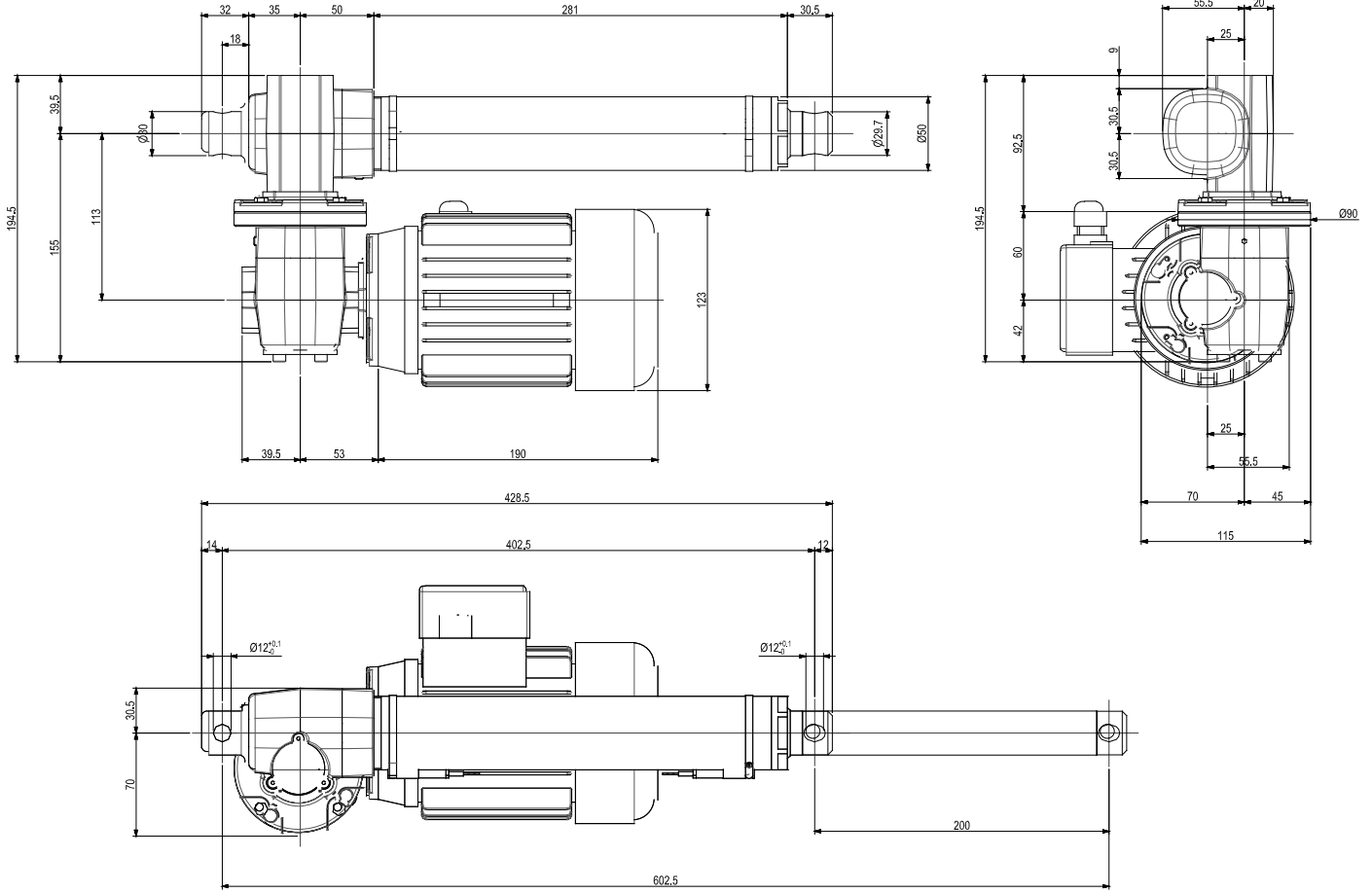
THIS DOCUMENT DISPLAYS MOST TYPICAL STANDARD FEATURES AND SETUPS: CONTACT OUR OFFICES FOR MORE. ACTUATOR SHALL NOT COME TO MECHANICAL STROKE-END, TO AVOID FAILURES.

BEFORE OPERATING ACTUATOR MAKE SURE YOU READ AND UNDERSTOOD BASIC OPERATIONAL INSTRUCTIONS SHOWN ON USERMANUALS, AVAILABLE FROM WEBSITE. CONSIDER MECVEL's LIMITSWITCHES (MODEL ALI4-F or ALI4-FCM) OR PUT THEM ON MACHINE/FRAME

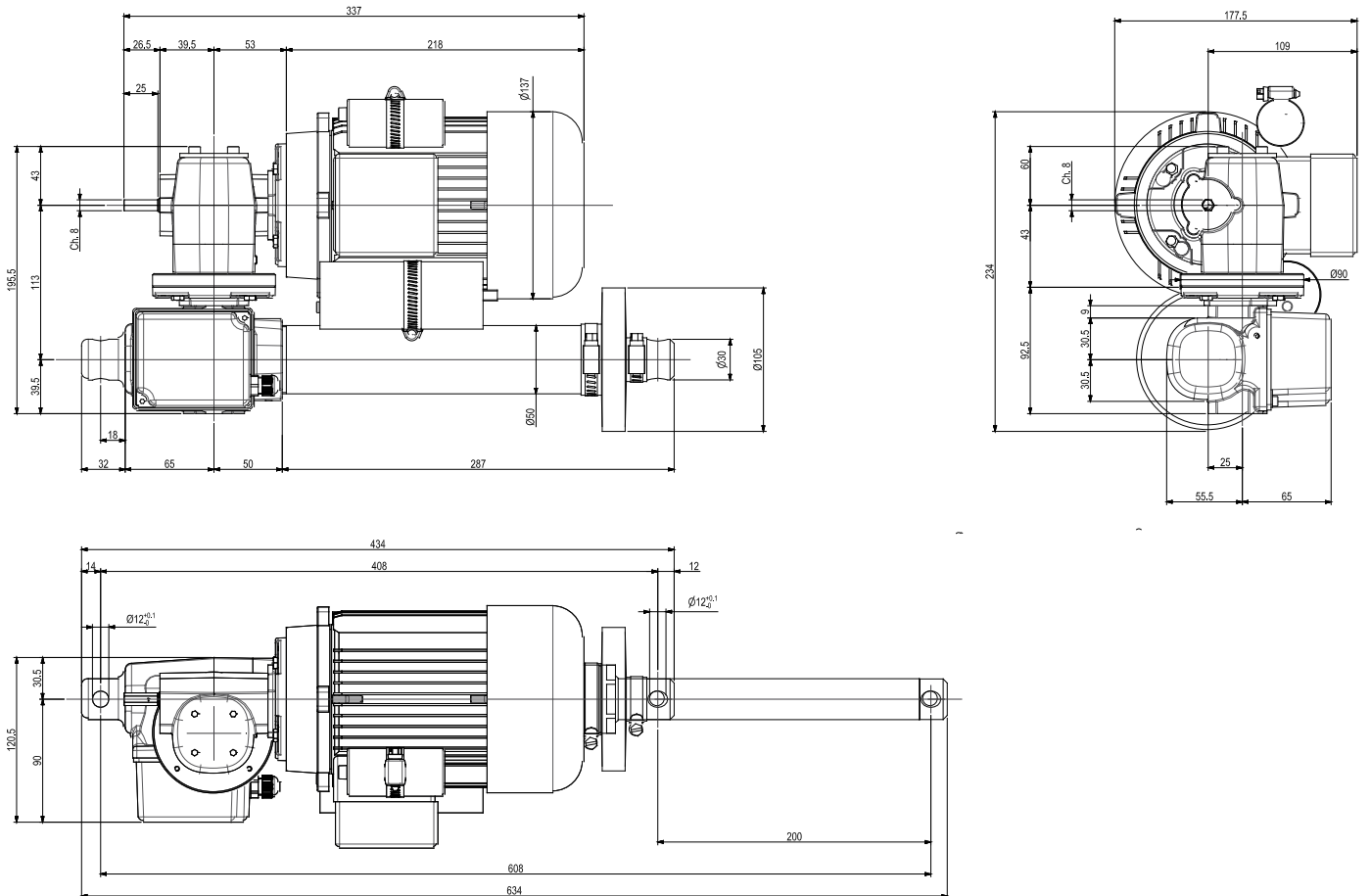


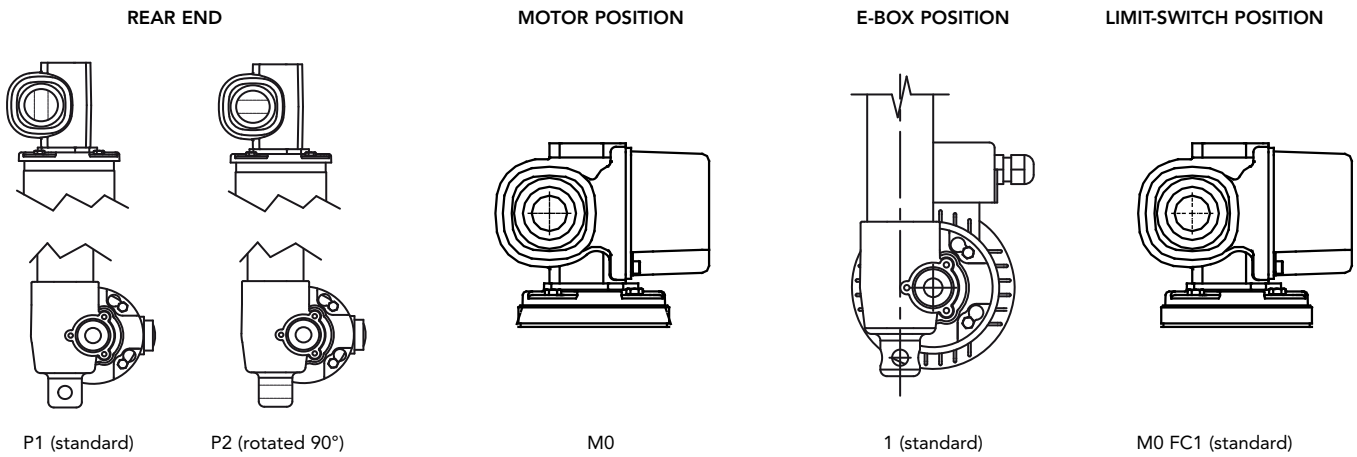
MecVel reserves the right to change products information and/or features without notice; all data contained in this catalogue are purely indicative and not binding for the company.

VERSION WITHOUT LIMITSWITCHES



VERSION WITH LIMITSWITCHES

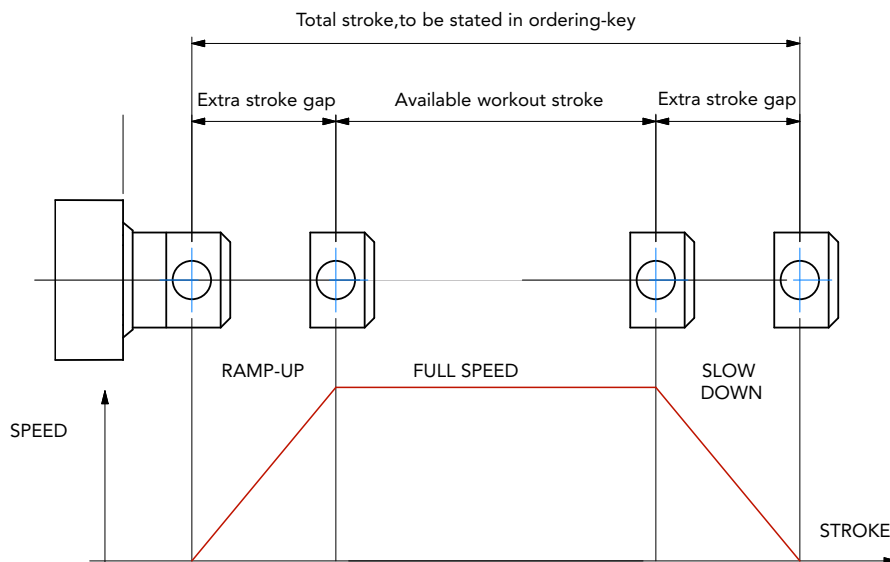




STROKE SETUP

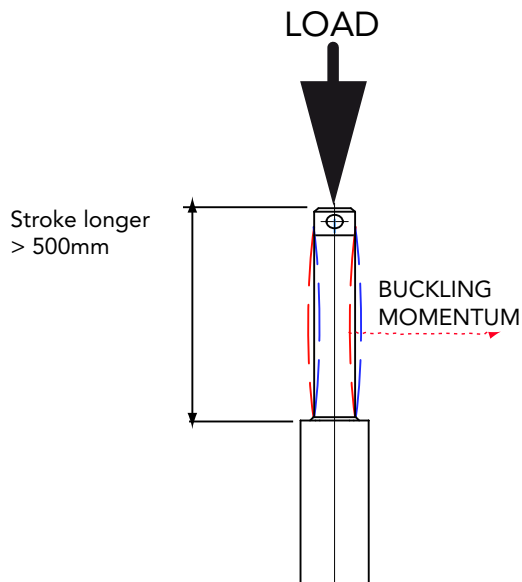
Useful tips for handling stroke and avoid run-on-block collision.

- When stroke is more than 350 mm, add 50 mm extra-stroke as guidance, and put corresponding value in ordering-key.
- **WARNING SPEED-TIMING ALONG STROKELENGTH:** ramps are extremely important when speed is >30 mm/s!!! Inverter or PWM drive recommended!
- The more speed raises the more extra stroke has to raise too.



BUCKLING

When stroke is longer than 500mm, BUCKLING can be a risk: please check mounting with our offices and/or see usermanuals.



IMPORTANT:

Long strokes, even if load is low, can generate significant buckling momentums, as sketch slows. This happens when actuator is in its all-opened position: that's the reason why we recommend 100 mm extra-stroke. Pushtube will have this 100 mm-portion always inside the overtube, improving guidance against buckling.

For more information on this, contact our office.

ALI4-P/0250/M01/CA-400/50-T-71-2-0,55/AB/M0/1/E06/2FC1/POT01A/FC1/P1/A1/

MODEL _____
 ALI4-P / ALI4-P-F / ALI4-P-FCM / ALI4-P-FCI / ALI4-P-VRS / ALI4-P-VRS-F / ALI4-P-VRS-FCM / ALI4-P-VRS-FCI

STROKE _____
 es. 250 mm = 0250

VERSION _____
 M01 / M02 / M03 / M04 / M05 / M06 / M07
 M00 Not standard speed
 Flanged version: indicate reduction ratio and screw pitch

MOTOR _____
 AC: version, voltage, type, size, n°pole, power
 With motorflange only put 0
 With special motorflange put: PD

AC MOTOR OPTIONS _____
 Motorflange: for motorflange version only advise size - i.e.for IEC56 B14 put 56B14
 Protection Degree: IP65, for selfbrake motor IP54 standard
 Brake type: for brakemotors only (es. FECA)
 Options: Advise if needed (es. AB 2'shaft)

MOTOR POSITION _____
 M0 None: Leave blank

LIMIT SWITCHES _____
 2FC1 None: Leave blank

LIMIT SWITCHES POSITION _____
 FC1 None: Leave blank

E-BOX POSITION _____
 1 No Motor: Leave blank

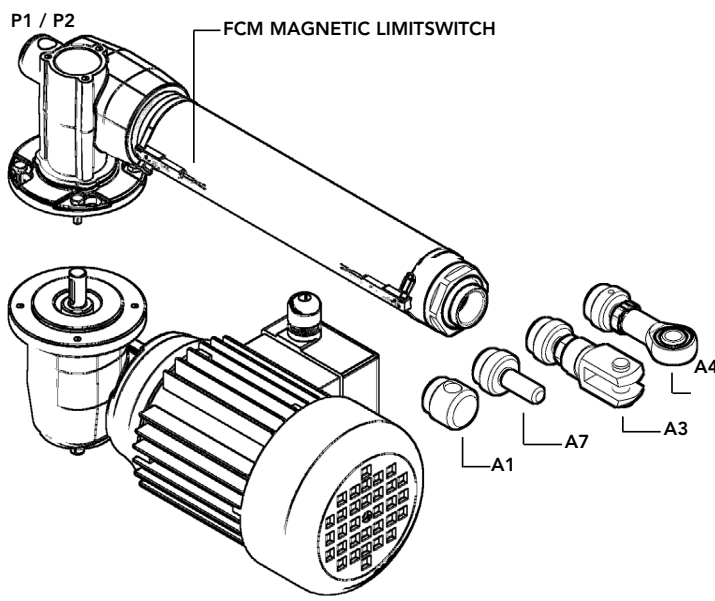
ENCODER _____
 Options pg.76 None: Leave blank

POTENTIOMETER _____
 POT01A (1Kohm) POT10A (10Kohm) None: Leave blank

REAR END _____
 P1 = Eyelet (standard) P2 = Eyelet (90°)

FRONT END _____
 A1 = Eyelet (standard) A3 = Yoke + Clip A4 = Rod end A7 = M12 male

NOTE: COMPLETE THE ORDERING KEY ADDING THE OPTIONS YOU CAN FIND IN THE "ACCESSORIES AND OPTIONS" SECTION



- Note:** "B" dimension changes according to model
- ALI4-P = See figure
 - ALI4-P-F = +30 mm
 - ALI4-P-FCM = +42,5 mm
 - ALI4-P-FCI = +42,5 mm
 - ALI4-P VRS = +25 mm
 - ALI4-P-F VRS = +55 mm
 - ALI4-P-FCM VRS = +53 mm
 - ALI4-P-FCI VRS = +53 mm
 - ALI4-P with antirotation device L = +15 mm
 - ALI4-P with safety nut G = +30 mm
 - ALI4-P with bellows boot B = +15 mm (not compatible with FCM e FCI versions)

