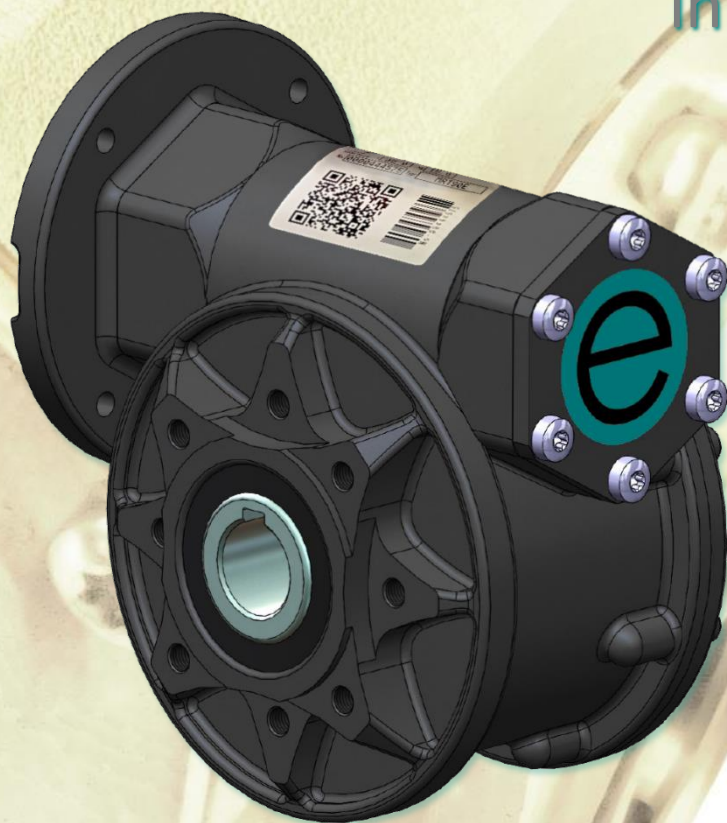




WORM GEARBOXES FOR ADVANCED APPLICATIONS

MRT . . E

VOLUTION
in sizes 40 – 90



- TOS ZNOJMO, akciová společnost
- Družstevní 3
- 669 02 Znojmo
- Czech Republic

Contact:

- Tel. +420 515 288 111
- Fax. +420 515 288 201
- prodej@tos-znojmo.cz

MRT..E

Evolution offers longer service life, lower operating and maintenance costs, while leaving the existing proven MRTA range.

transfer of higher torque



by 8% compared to MRT..A while maintaining the connection dimensions

worm ground to roughness of Ra0.4



for maximum efficiency of the gear set

bearings of prestigious brands



(SKF, FAG, TIMKEN) for maximum durability and load capacity

fully synthetic lubricant



forming a lifetime fill

metal cap



to capture the axial forces in the screw axis

reinforced bronze worm wheel rim



to transmit higher torque

shaft seal with high heat resistance



of FPM (VITON) on the screw axis

extended Warranty



24 months



QR code label
for easy identification



on customer's request black anodized housing
for high resistance to the environment, durability and pleasant aesthetic impression



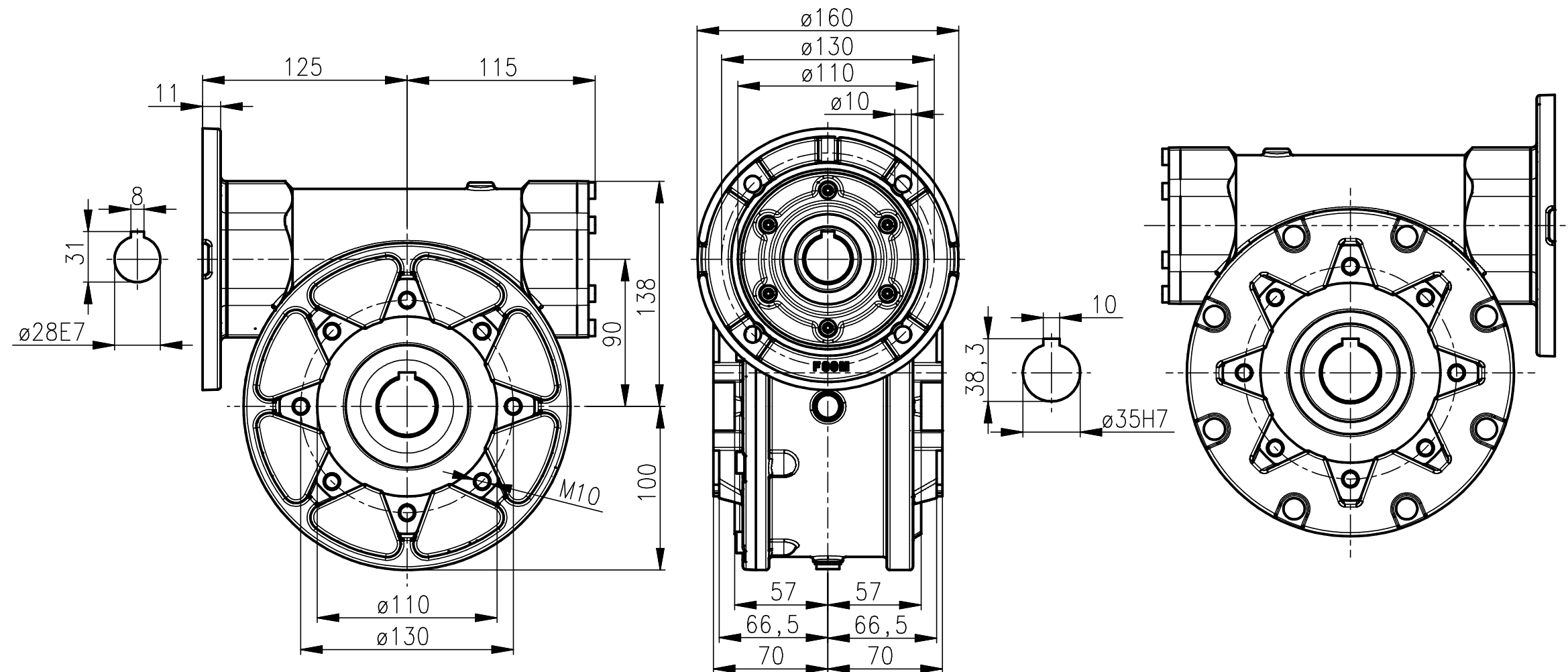
More information about the new generation of MRT..E and complete performance tables can be found at:

www.tos-znojmo.cz/eng/produkce/snekove-prevodovky/

- TOS ZNOJMO, akciová společnost
- Družstevní 3
- 669 02 Znojmo
- Czech Republic

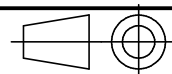
Contact:

- Tel. +420 515 288 111
- Fax. +420 515 288 201
- prodej@tos-znojmo.cz



TOS ZNOJMO, akciová společnost, Družstevní 3, 669 02 ZNOJMO; +420 515 288 111; www.tos-znojmo.cz; toszn@tos-znojmo.cz

NO SCALE



TOS ZNOJMO

MRT90-E-100-F130

		n1=	2800	[min.-1]		n1=	1400	[min.-1]		n1=	900	[min.-1]	
Type	i _n	n ₂	Mk ₂	P ₁	h _d	n ₂	Mk ₂	P ₁	h _d	n ₂	Mk ₂	P ₁	h _d
–	–	[min-1]	[Nm]	[kW]	[%]	[min-1]	[Nm]	[kW]	[%]	[min-1]	[Nm]	[kW]	[%]
MRT 90E	5	542	328	19,57	95	271	390	11,76	94	174	437	8,567	93
MRT 90E	7,8	361	330	13,27	94	181	389	8	92	116	439	5,9	90
MRT 90E	9,7	290	328	10,68	93	145	390	6,5	91	93	437	4,8	89
MRT 90E	12,7	221	317	7,98	92	111	377	4,8	90	71	422	3,6	87
MRT 90E	15,5	181	345	7,34	89	90	411	4,5	87	58	460	3,3	84
MRT 90E	19,5	144	373	6,44	87	72	444	3,9	85	46	498	2,9	82
MRT 90E	24,5	114	336	4,62	87	57	400	2,9	83	37	448	2,2	80
MRT 90E	30	93	428	5,23	80	47	510	3,238	77	30	571	2,425	74
MRT 90E	40	70	402	3,73	79	35	479	2,371	74	23	537	1,832	69
MRT 90E	50	56	344	2,62	77	28	410	1,691	71	18	459	1,31	66
MRT 90E	60	47	323	2,11	75	23	385	1,365	69	15	432	1,076	63
MRT 90E	70	40	301	1,73	73	20	353	1,119	66	13	404	0,907	60
MRT 90E	80	35	280	1,45	71	18	334	0,956	64	11	374	0,759	58
MRT 90E	100	28	256	1,12	67	14	305	0,744	60	9	341	0,607	53